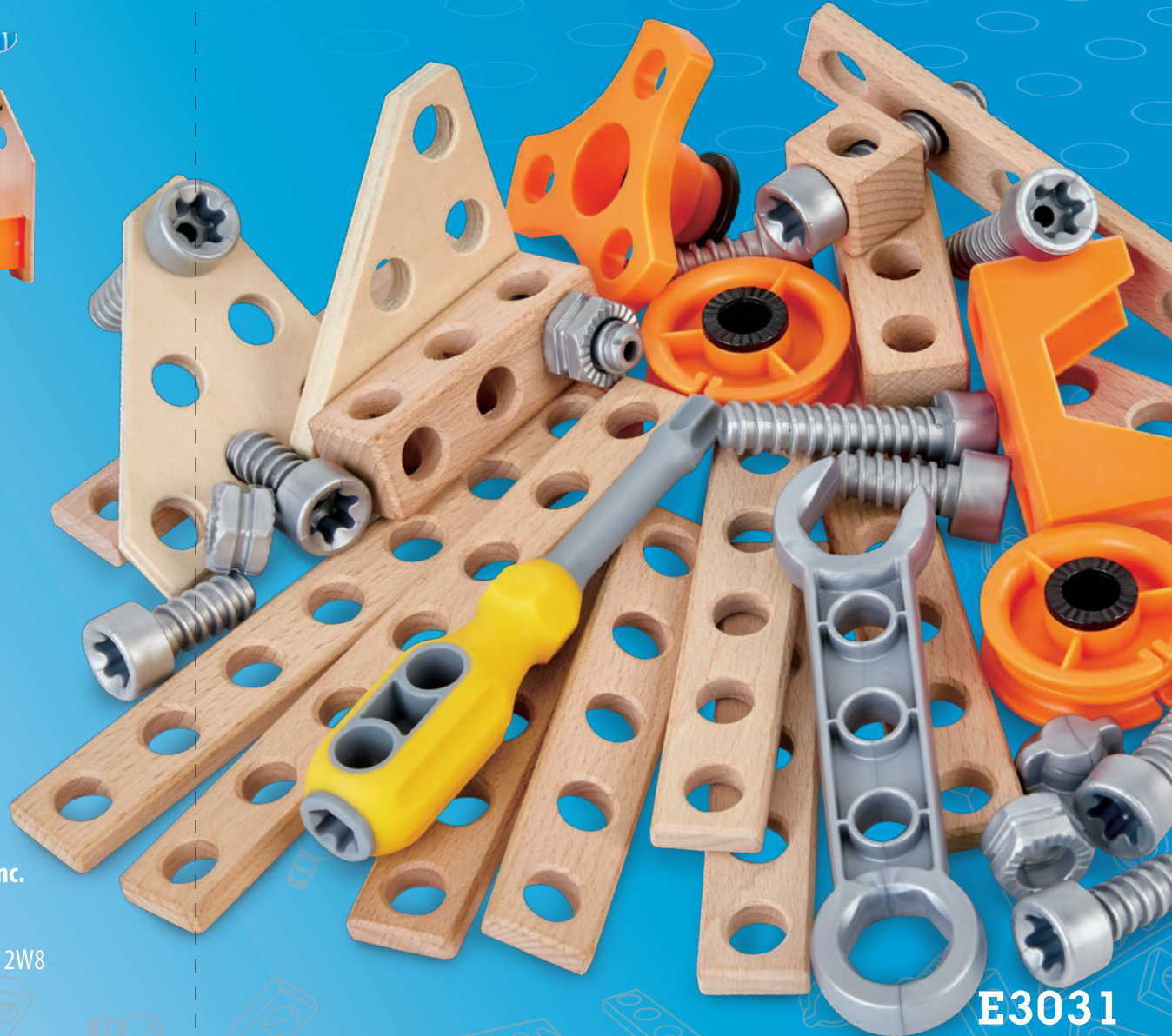


661765



JUNIOR INVENTOR



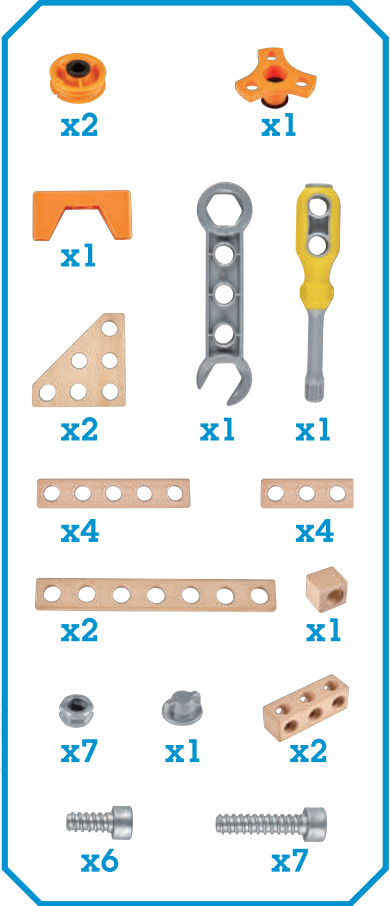
Hape International AG
Alsfelder Straße 41
35325 Mücke
Germany

Hape International Inc.
2nd Floor
199 Pembina Road
Sherwood Park, AB T8H 2W8
Canada

E3031



JUNIOR INVENTOR

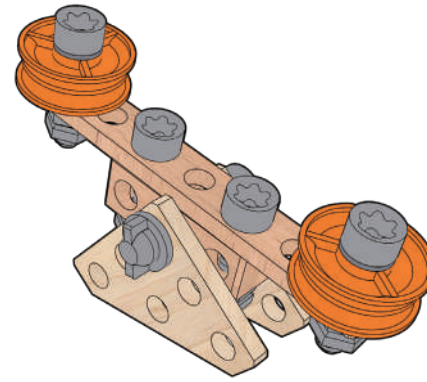
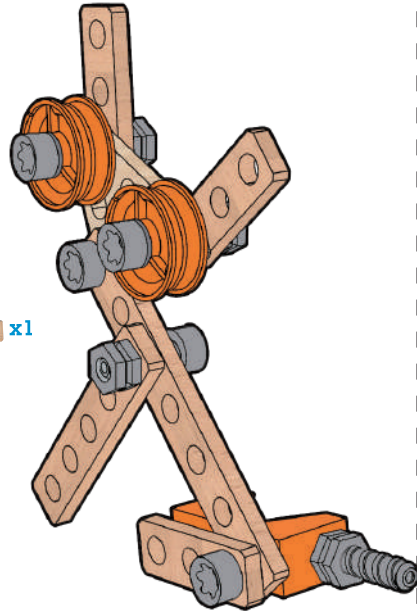
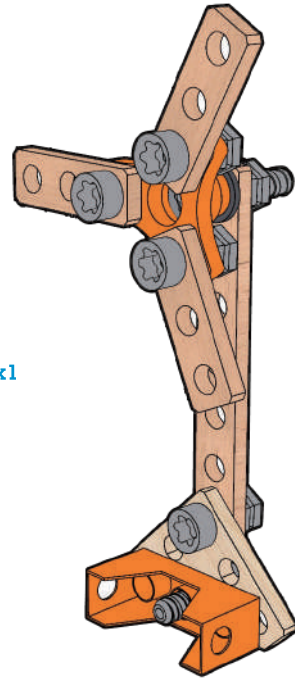


- x5
- x5
- x1
- x3
- x1

- x1
- x1
- x1

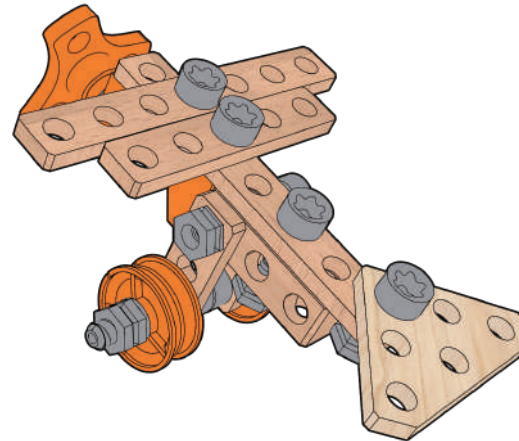
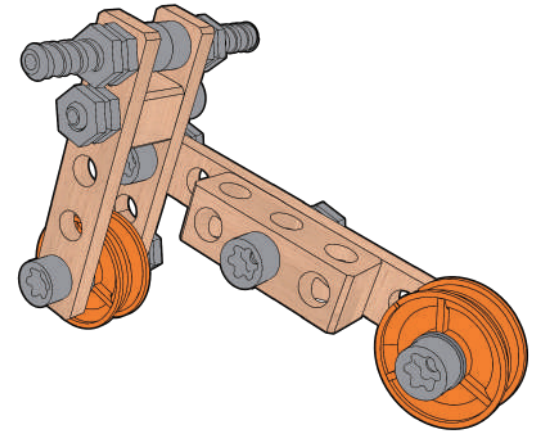
- x5
- x3
- x3
- x3
- x1
- x1

- x1
- x1
- x2



- x1
- x4
- x5
- x1
- x1
- x2
- x2

- x7
- x1
- x6
- x1
- x1
- x2
- x1
- x2



- x6
- x3
- x5
- x2
- x1
- x2
- x1
- x1
- x1
- x2
- x1